



Blu fab,

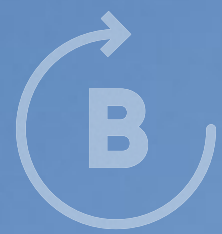
Innovating
with Off-Site
Construction



Innovating with Off-Site Construction

Blufab, a unit of Grupo Casais, specializes in off-site construction solutions that are designed to address the challenges of modern construction, such as labor shortages, time constraints, and sustainability concerns. Blufab streamlines construction processes, improves quality, and reduces environmental impact by offering modular solutions for various building components.





Our Core Solutions

1

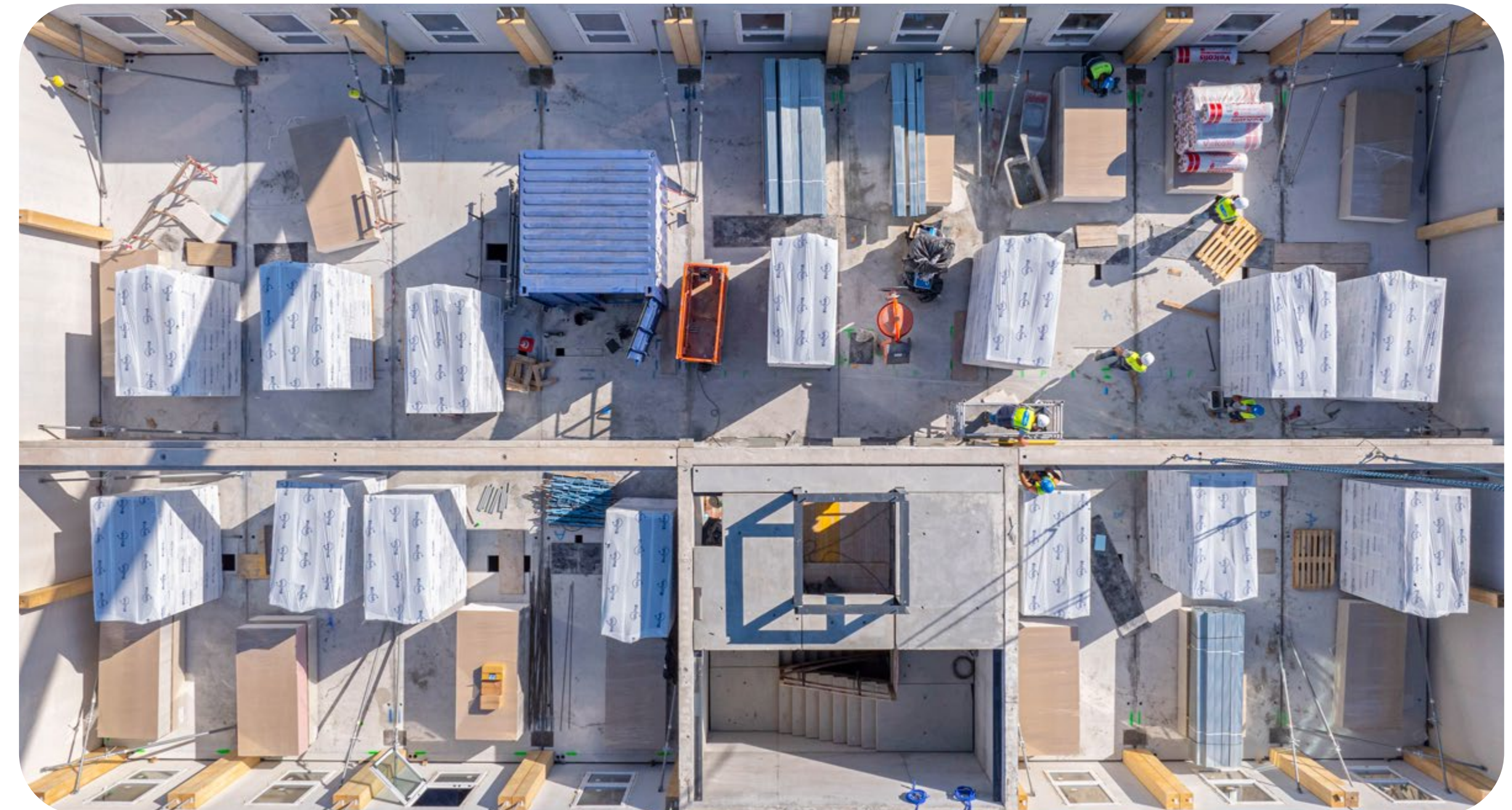
2D Modular Walls

A flexible solution for complex projects, Blufab's 2D modular walls come fully equipped with hydraulic infrastructure and high-quality finishes. These panels are produced, transported flat-pack, and assembled efficiently on-site, providing a tailored solution for bathroom installations and kitchens.

2

3D Bathroom Pods

This is a fully integrated solution, ideal for large-scale projects such as hotels and student housing. With only two connection points, these plug-and-play bathroom modules arrive ready for installation, significantly reducing labor and time on site.





B

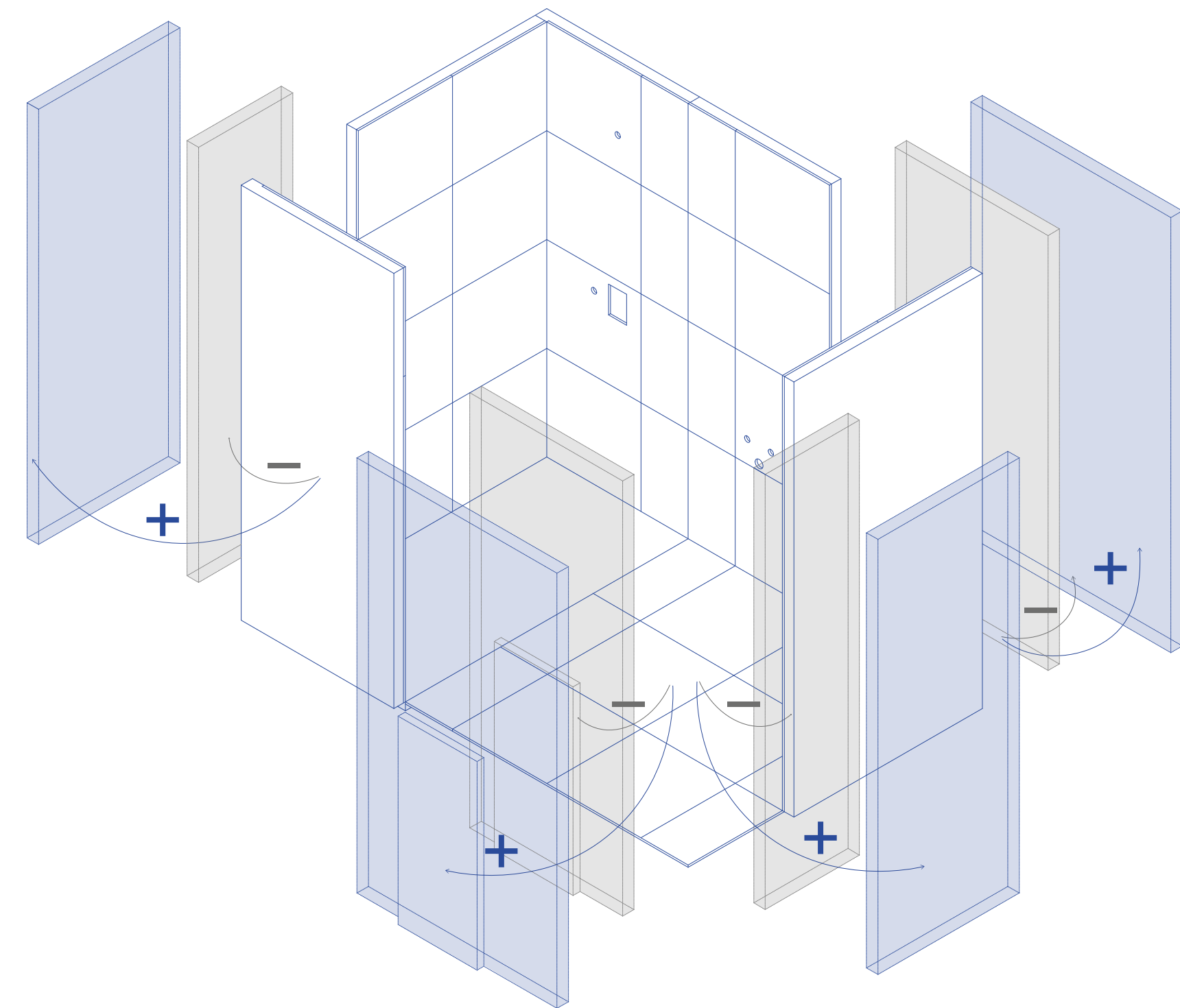
2D Modular Walls

Industrialisation is essential to guarantee the transition to sustainable construction, involving integrated design and the development of new products and constructive systems. These components can be assembled into different floor plans, replacing traditional construction methods.

Building durability depends on better design, better performance of products as well as constructive systems, and knowledge sharing.

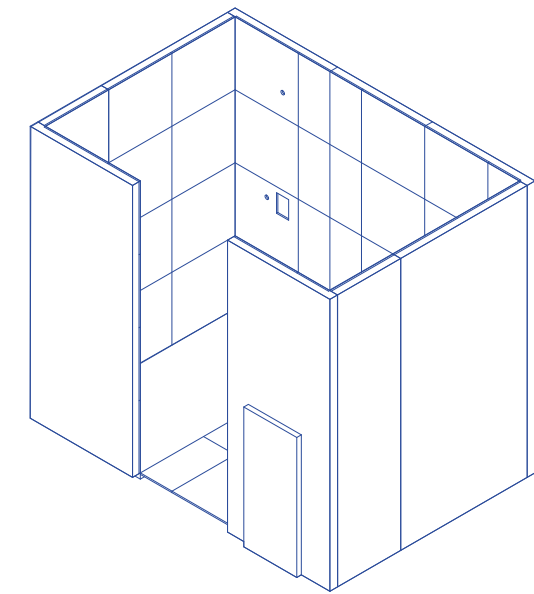


Modular panels that allow flexible and customisable bathroom configurations. Blufab's pre-fabricated solution allows the bathroom layout to be adjusted and expanded as needed based on predetermined metrics.

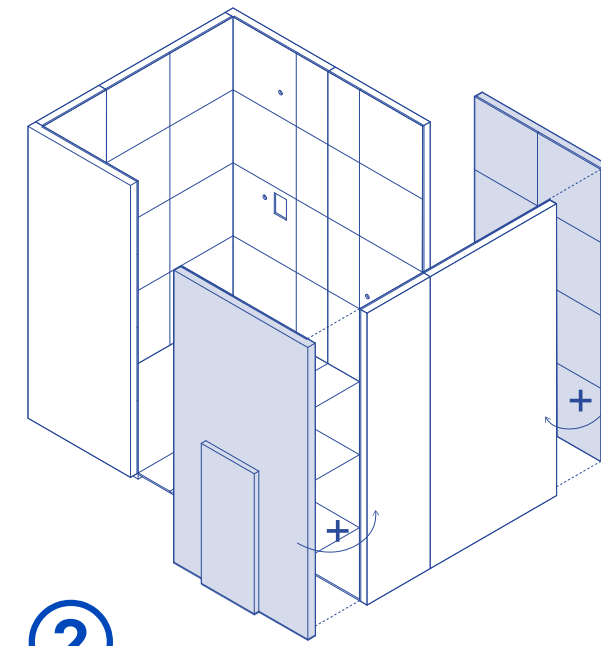




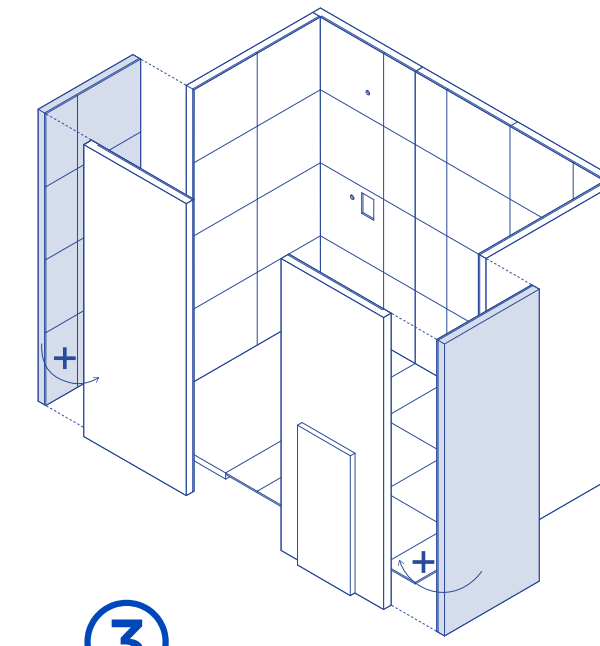
2D Modular Walls



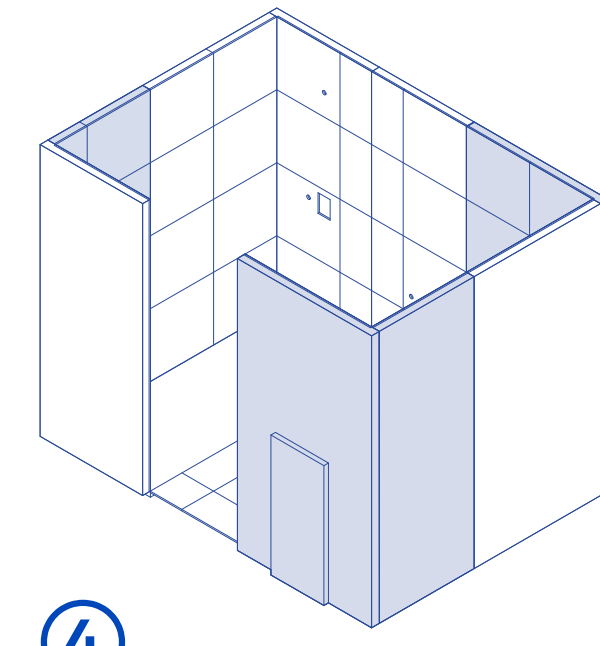
① Bathroom Suite Type 1
4,86 m²



② Bathroom Suite Type 2
5,40 m²



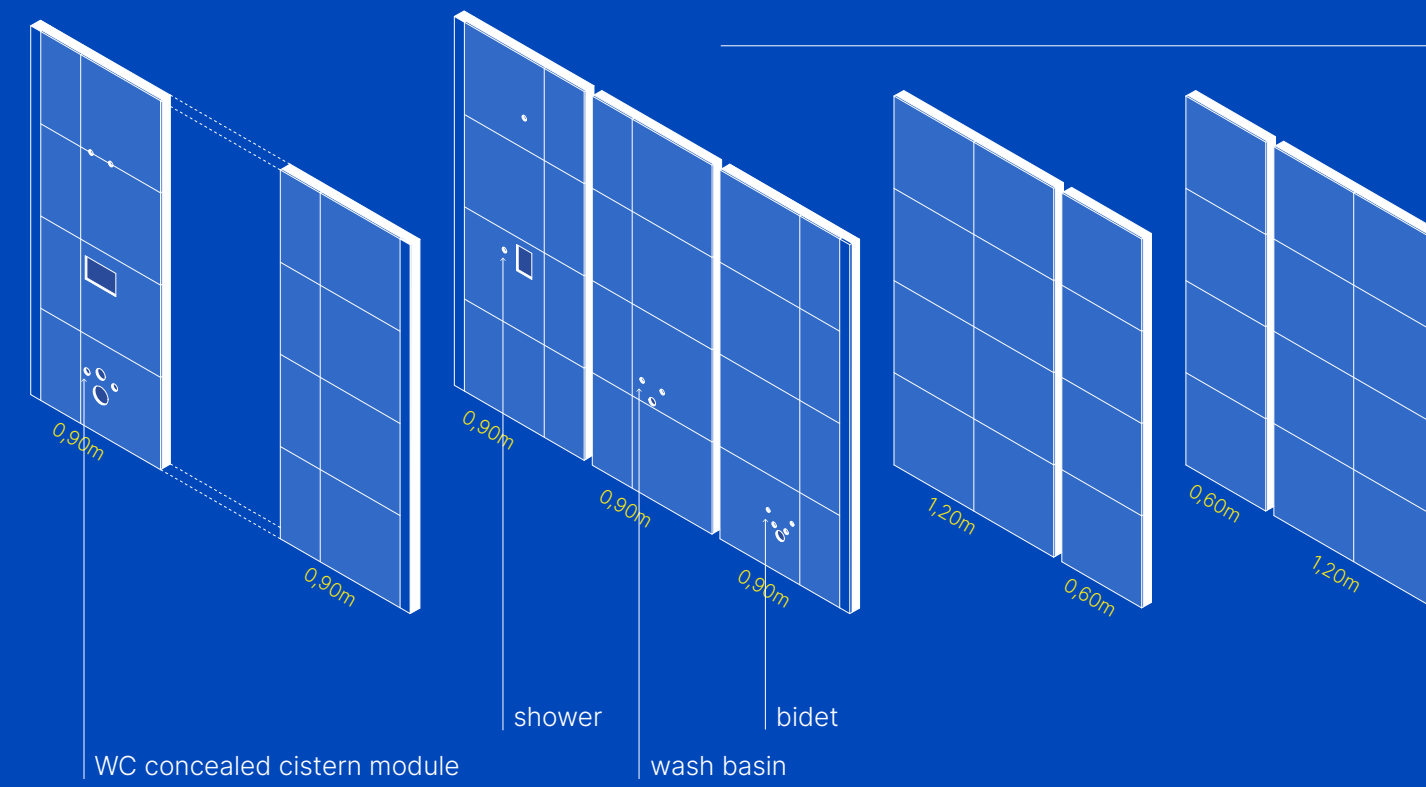
③ Bathroom Suite Type 3
5,67 m²



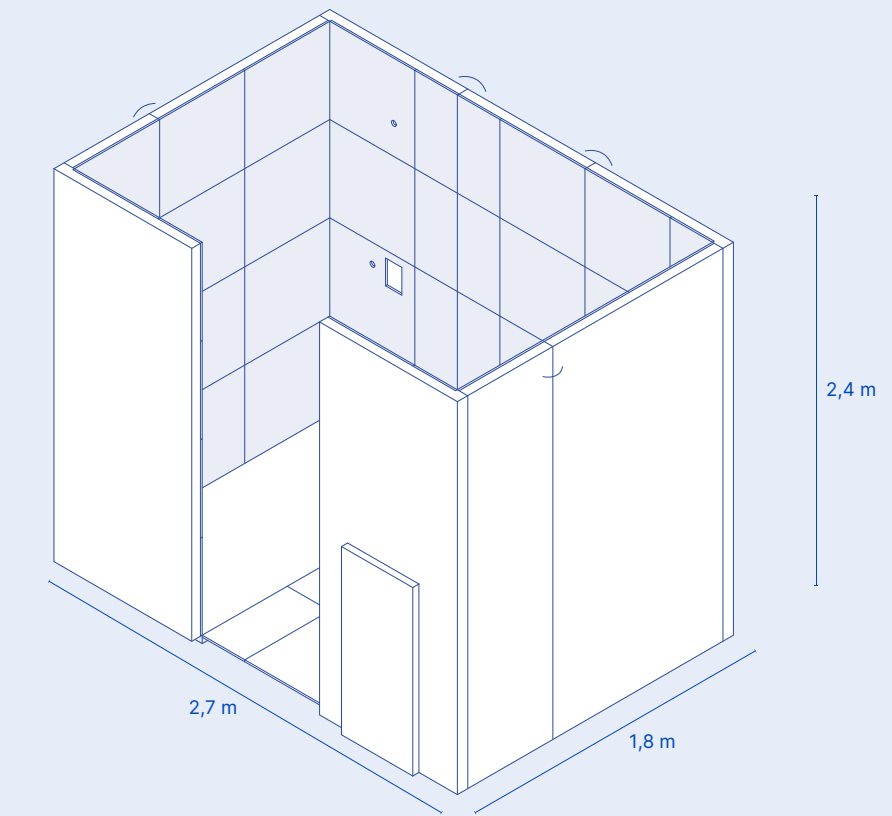
④ Bathroom Suite Type 4
6,30 m²

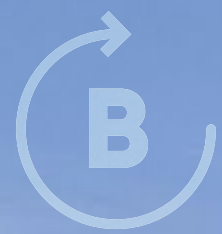


Blufab Concept



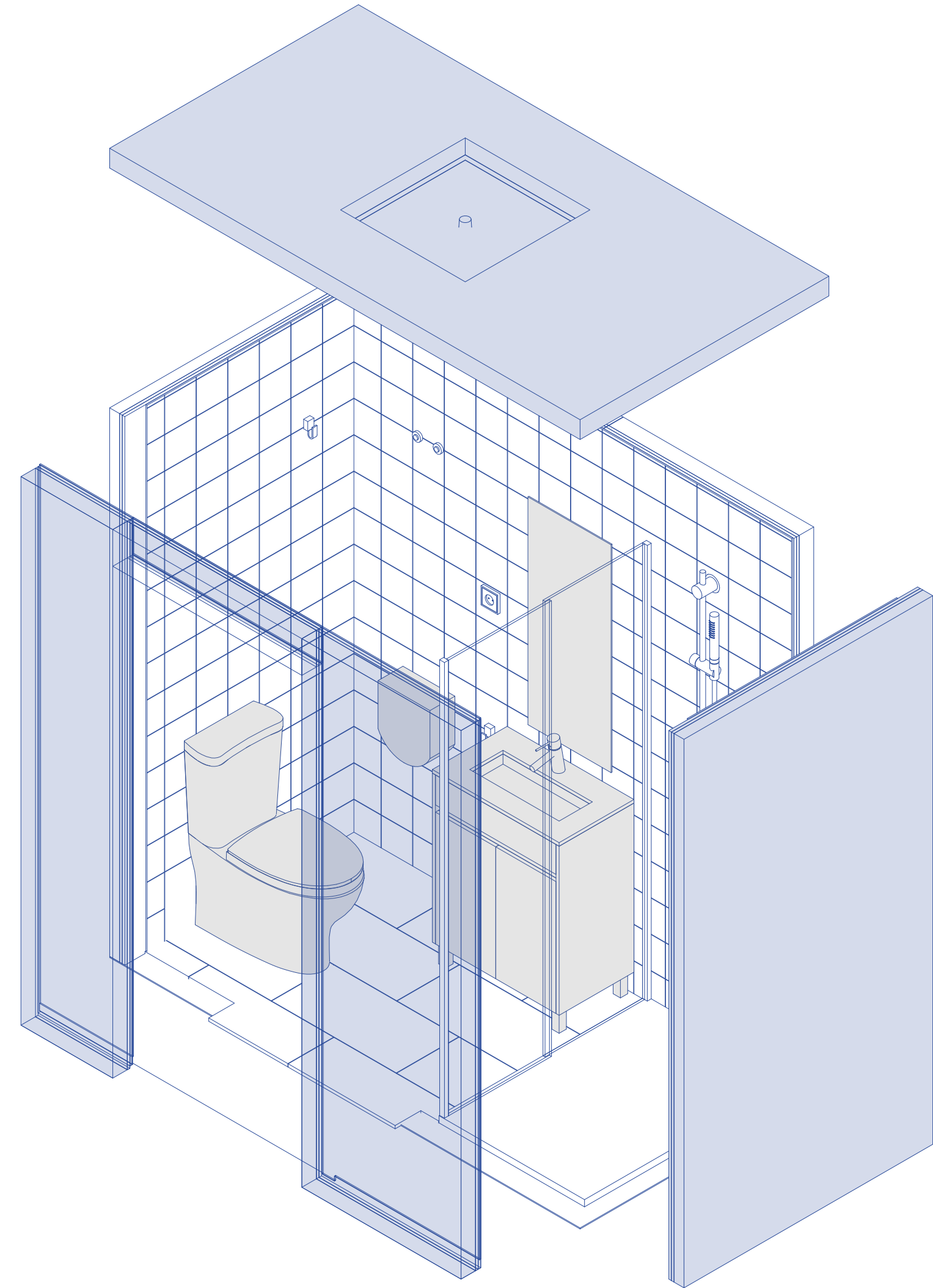
Bathroom Suite Type 1
4,86 m²





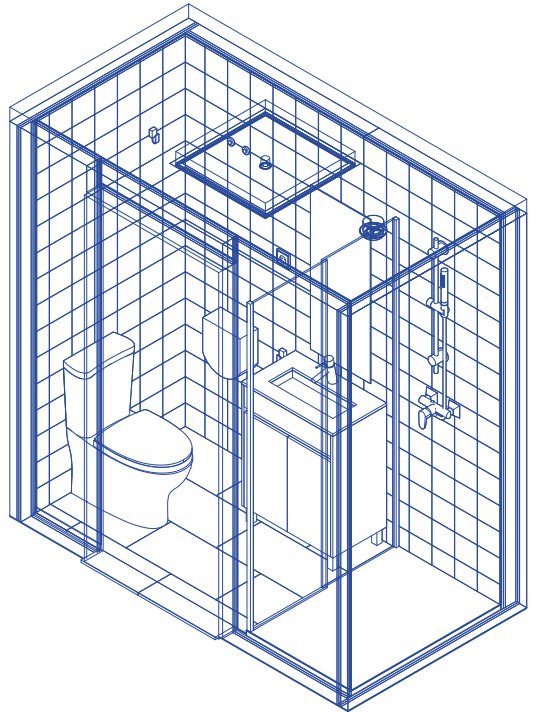
3D Bathroom Pods

Our innovative three-dimensional concept offers a comprehensive and integrated solution with MEP (Mechanical, Electrical and Plumbing) infrastructures. This 'plug and play' sanitary installation model allows for easy on-site placement, providing a fully enclosed, ready-to-use bathroom.

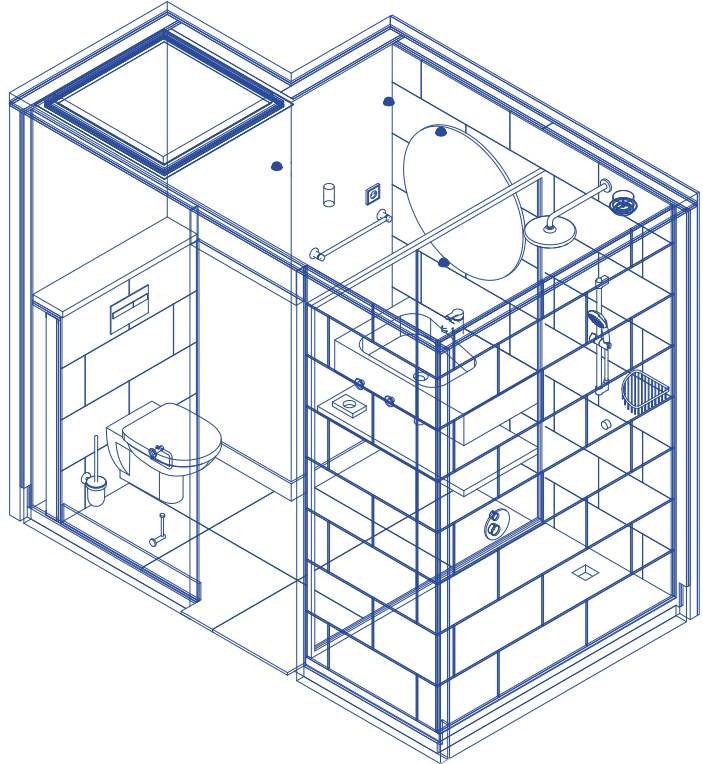




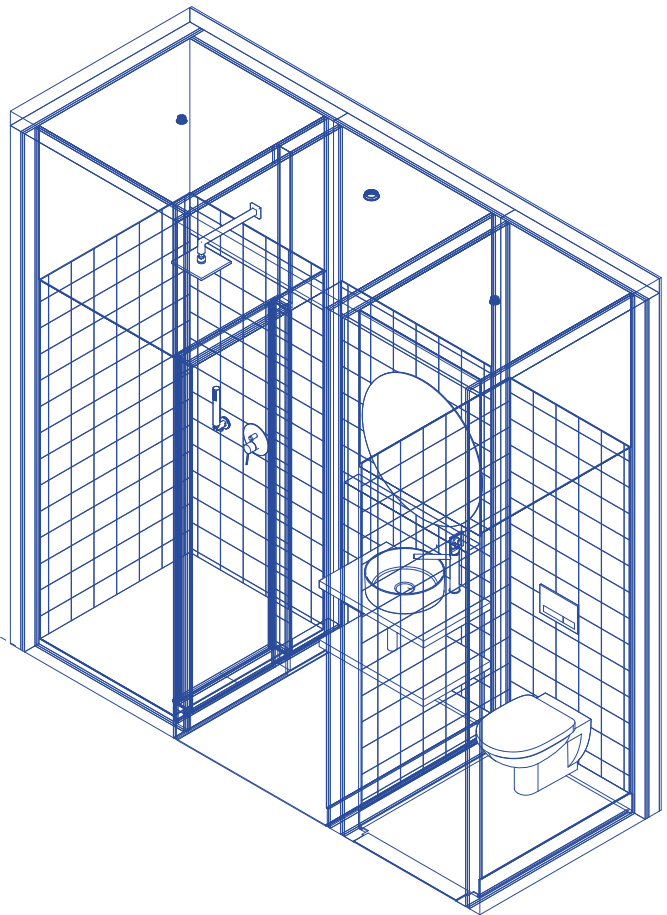
3D Bathroom Pods



A
Bathroom Pod **Type A**
2 m²



B
Bathroom Pod **Type B**
3,5 m²



C
Bathroom Pod **Type C**
3 m²

The 3D Bathroom Pod is delivered with finished surfaces, MEP infrastructures, and sanitary ware fully installed.





B

Proven Performance

**Successful Projects
+30,000 bathroom
walls produced**

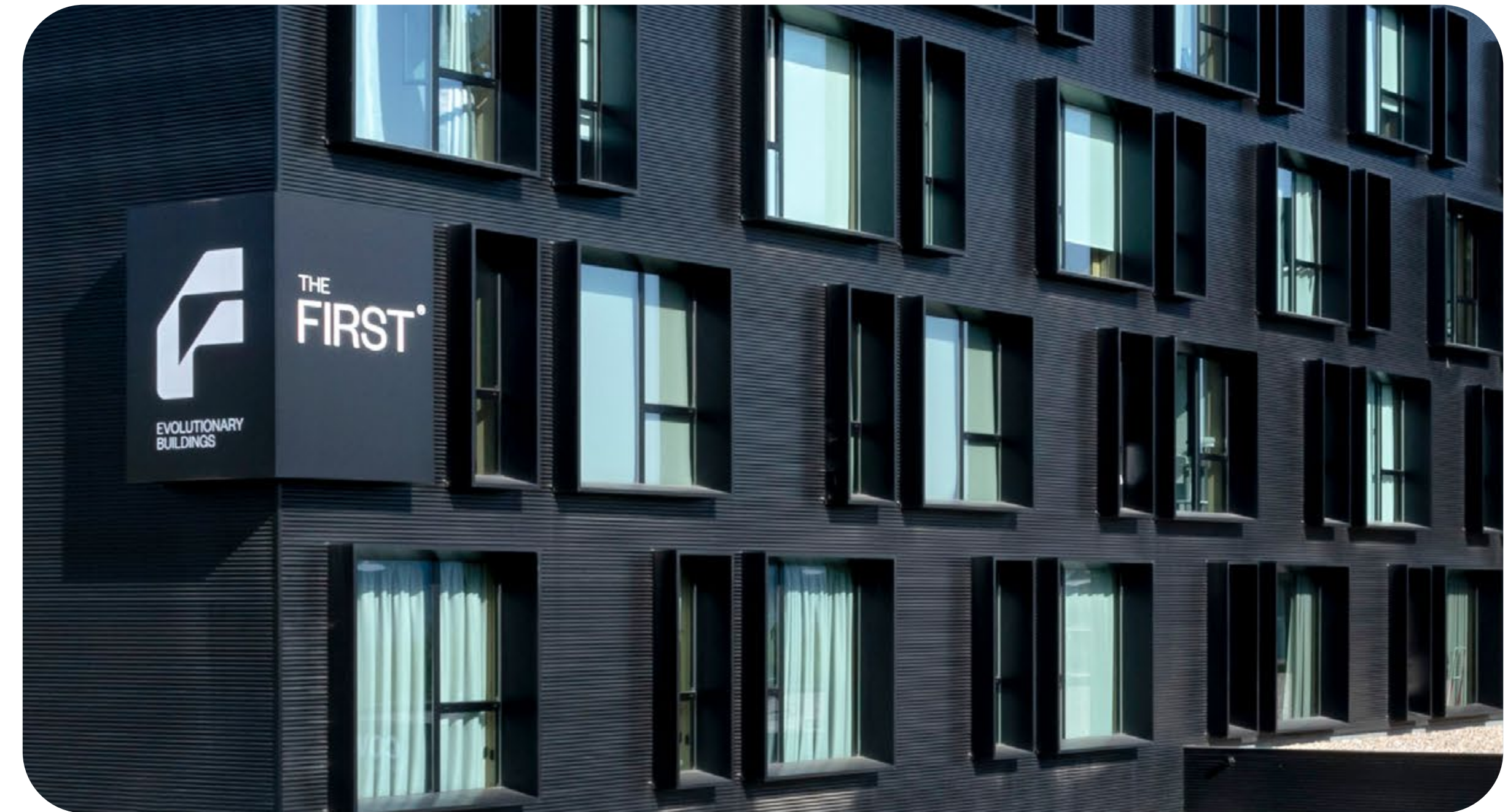
— **“The First” Housing Complex**
Guimarães, Portugal: 44 bathrooms
using the 2D solution.

— **Premium Housing Complex**
Algarve, Portugal: 563 bathrooms
using the 2D solution.

— **3-Star Hotel**
Oeiras, Portugal: 95 bathrooms
using the 2D solution.

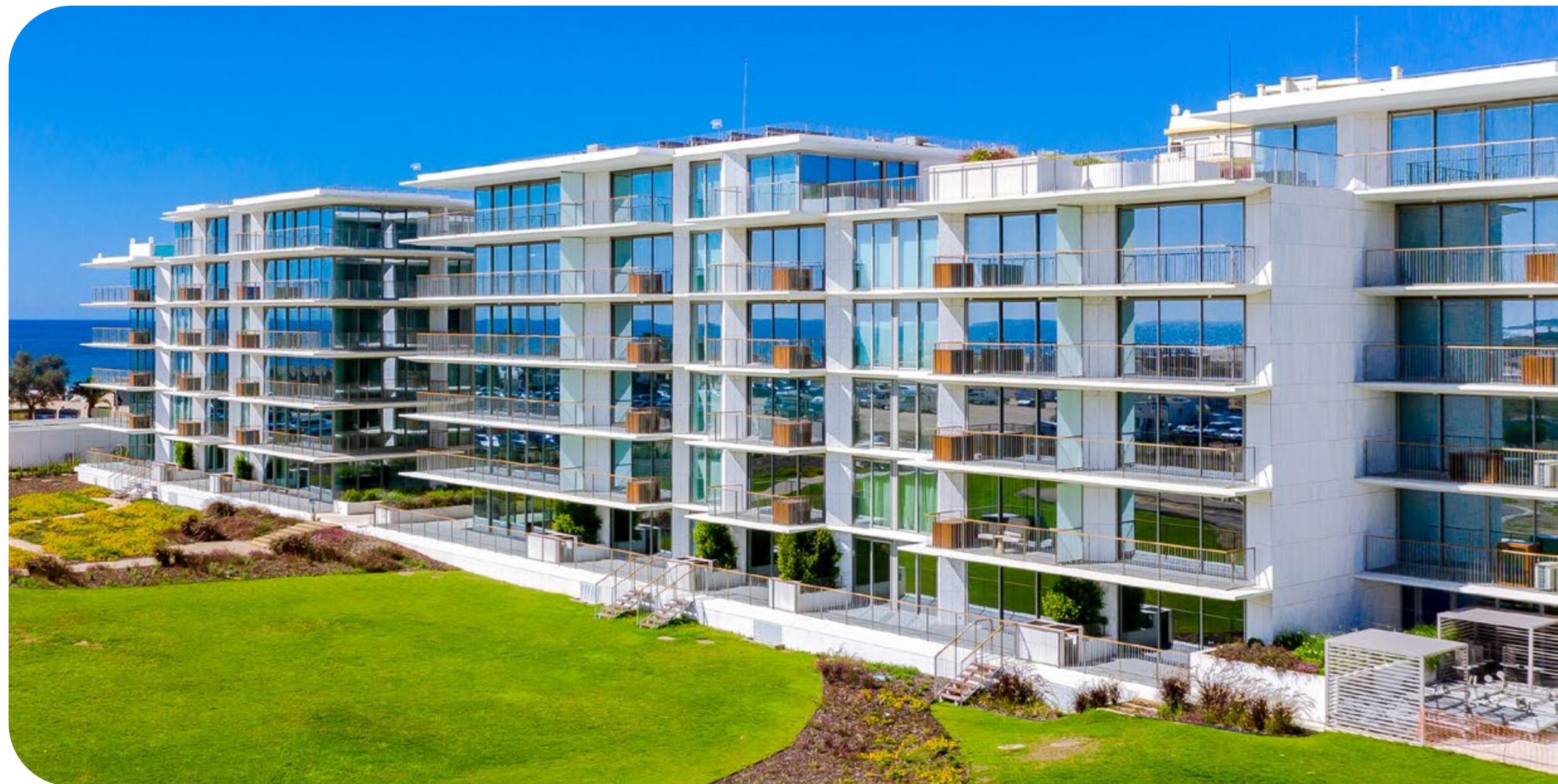
— **Public Student Accommodation**
Valença, Portugal: 30 bathrooms
using the Pod solution.

— **3-Star Hotel Tres Cantos**
Madrid, Spain: 120 Bathrooms
using the 2D Solution





— The First Housing Complex · Guimarães

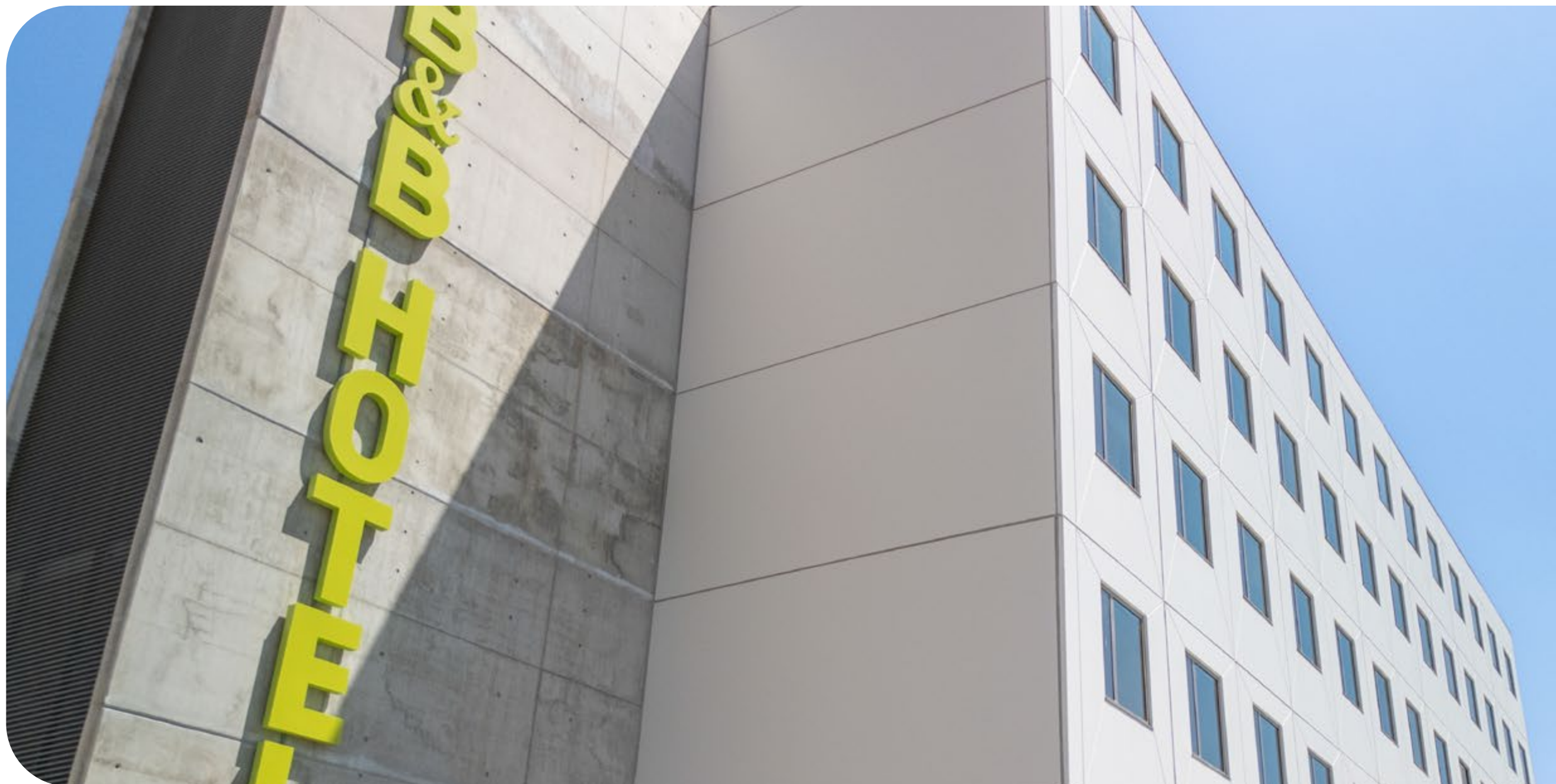


— Premium Housing Complex · Algarve





— 3-Star Hotel · Oeiras



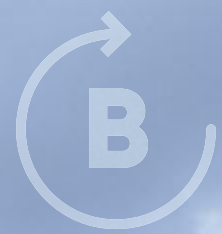
— 3-Star Hotel · Madrid



Why Blufab?

Blufab's off-site construction solutions are developed with a strict focus on quality control, reducing lead times, and minimizing environmental impact. Our modular systems offer multiple advantages for architects, engineers, and developers:





Why Blufab?

- **Increased Productivity**

Off-site fabrication allows for faster project delivery while maintaining high standards of quality.

- **Cost Efficiency**

With fewer materials wasted and faster assembly, the total costs of construction are significantly reduced.

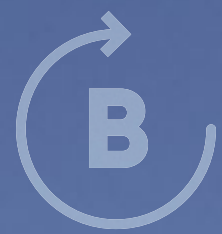
- **Sustainability**

Prefabrication reduces material waste, energy consumption, and on-site environmental impact, contributing to greener construction practices.

- **Enhanced Flexibility**

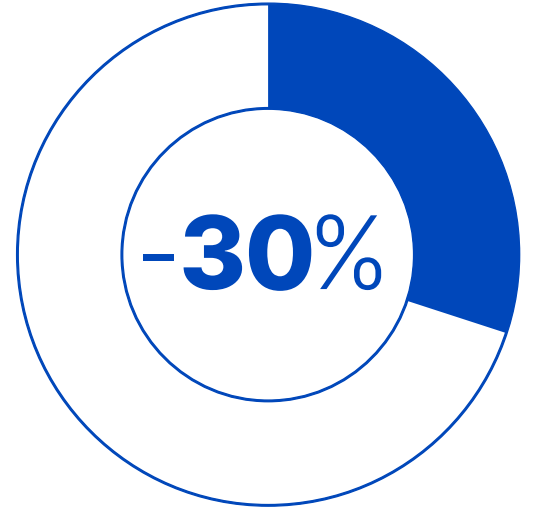
Solutions can be adapted to meet specific project needs, allowing customization while still benefiting from industrialized processes.



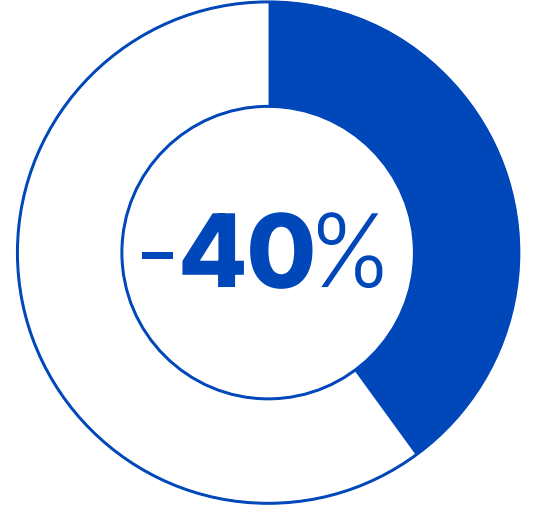


Why Blufab?

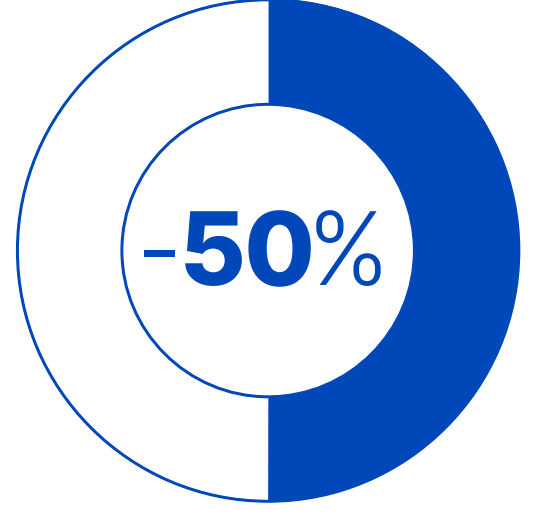
Blufab solutions are supported by technical designs that integrate mechanical, electrical, and plumbing (MEP) systems, simplifying the installation process. These solutions also offer enhanced traceability of materials, leading to better asset management and higher overall quality, especially in finishing.



Transport

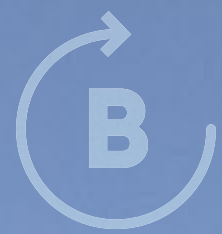


Materials

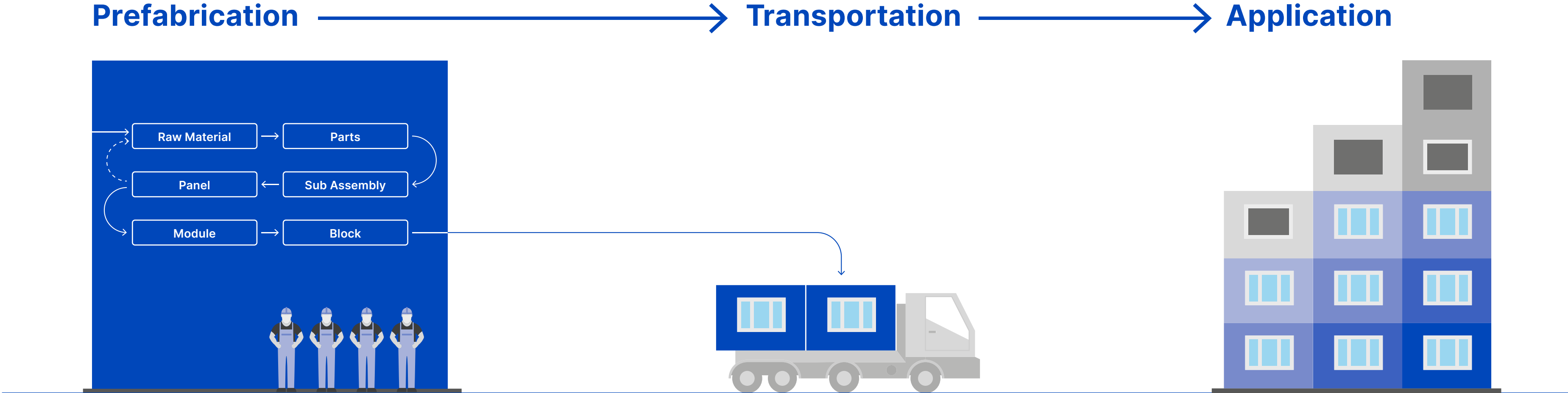


Time





Sustainable Construction



Best control of resources and materials

+



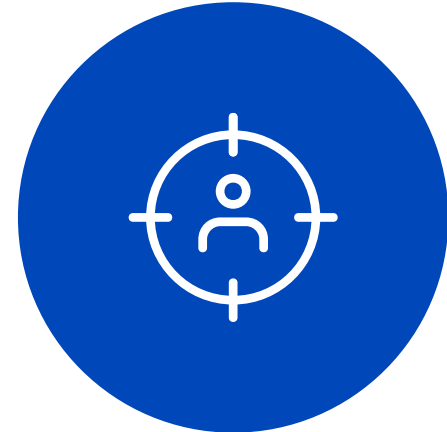
Reduced material waste

+



Faster production time

+



Less on-site labour required

=



Increased sustainable construction



B

Blu(fab)

Blu(fab)

Blu(fab)

Blu(fab)

Blu(fab)

Blu(fab)

Blu(fab)

Blu(fab)

Are you building
a project with the
Cree System?

Blufab is your strategic
partner for innovative
projects!

CREE
BUILDINGS





Working together
for a more
sustainable future



BLUFAB
Innovative and
Sustainable Projects

info@blufab.pt
More info:
blufab.pt/en/



blufab.pt